

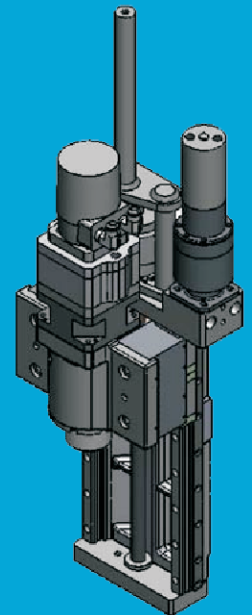
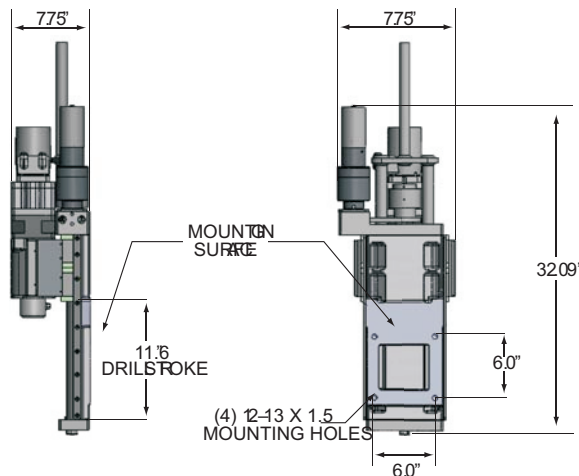
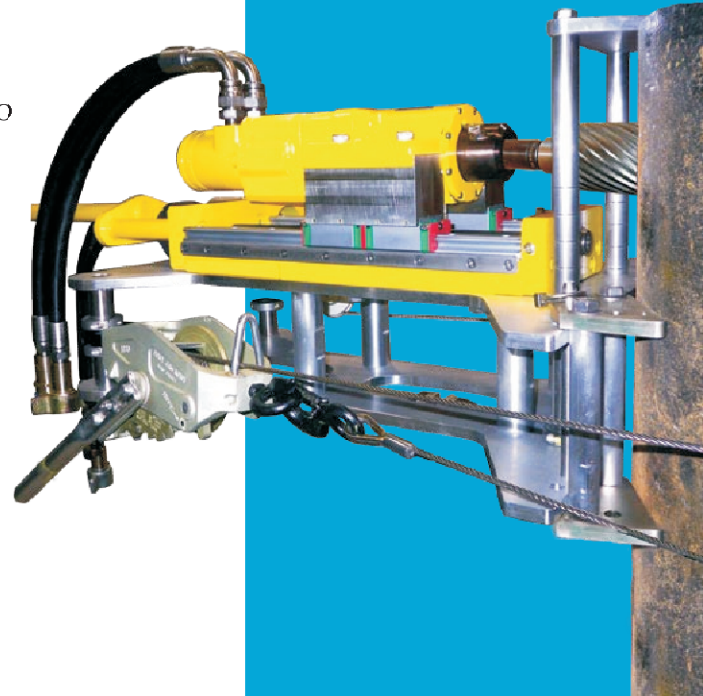


Gary Herman Companies, LLC.
4706 Curtis Lane
New Iberia, LA 70560
337-367-2880 www.alpha4rentals.com

Subsea Drill

The perfect drill for subsea and decommissioning projects, the Wachs SUBSEA DRILL is designed to meet the unexpected needs encountered in the field.

Built of corrosion resistant materials and sealed for use in 350 feet of seawater (150psi), this auto-feed, variable speed tool can drill up to 5" diameter holes.



FEATURES

- Large hole diameter
- Variable speed hydraulic drive (250 RPM max)
 - Max 15 GPM @ 1500 PSI (spindle drive)
 - 5 GPM @ 1500 PSI (auto feed)
- Hydraulic auto feed (0 - 0.56"/min)
- Corrosion resistant materials
- Sealed for use in up to 350 feet of seawater
- Versatile mounting configurations

SPECIFICATIONS

Coated/corrosion resistant linear guides
Spindle/gearbox sealed to 350' seawater (150 PSI)
Field adjustable overload clutch
Utilizes Morse Taper Tooling (#4 max)
Anodized aluminum components
Manual override on auto feed
Shielded thrust bearings & grease port on feed screw
Removable seal carrier
Corrosion resistant SS precision acme feed screw
Hydraulic drive motors
Finish: powder coat yellow



600 Knightsbridge Pkwy. • Lincolnshire, Illinois 60069 | 800.323.8185 • +1.847.537.8800 worldwide • +1.847.520.1147 fax

www.wachSCO.com